

CAPACITY.

TJ5000 Trailer Jockey® DOT Certified Terminal Tractor

At Capacity of Texas, we believe a spotting tractor is only as good as its comfort, price and durability. That's why our ISO 9001 tractors continue to be *the most durable spotting tractors in the industry.*



Some items shown in photograph represent optional equipment

The Capacity Dura-Built™ Difference

- Exclusive Dura-Ride® Air Spring Suspension System Available
- Dedicated Cab Platform with Complete In-House Cab Construction
- High Strength Frame, RBM 4,248,960 In. Lbs.
- Exclusive Dura-Plus™ 10-Year Frame Warranty Available
- Durable Metal Dash with Printed Circuit Board
- Exclusive Lifetime Paint Warranty
- Models Available for Immediate Delivery

Standard Features

Engine	Cummins ISB02-215 HP, EPA Highway Turbo Diesel
Transmission	Allison MD3060 Electronic Automatic
Front Axle	Eaton E13221, 12,000 lb.
Rear Axle	Eaton 23141, 6.67:1, 23,000 lb.
Wheelbase	116"
Fifth Wheel	Holland FW35, 70,000 lb.
Lift Cylinders	5", 70,000 lb. Hydraulic
Tires	11 X 22.5 16 Ply
Exhaust	Vertical
Paint	Cab White, Frame Black, Rims White

Cab Features

VISTA IIE 60, Comfort Cab
 Electric Cab Tilt
 Seat Belt
 Electronic Back-up Alarm
 Tinted Glass
 Level Sweep-out Cab
 Gauges: Air, Fuel, Hour, Volt, Temp, and Oil
 Back-lit Instrumentation w/DOT Icons
 High Strength Metal Dash
 w/Printed Circuit Board
 Insulated Firewall Covering (engine side)
 45,000 BTU Heater/Defroster/Fresh Air
 Overhead Storage Compartment
 Full DOT Marker Lights on Cab
 Overhead Reading Lamp
 Pop Open Vent (front quarter panel)
 Electric Windshield Wiper

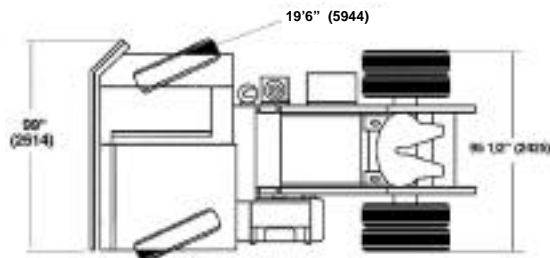
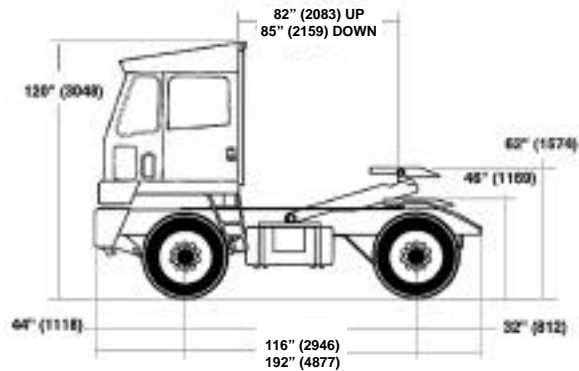
Highway Package

ABS Brakes (vehicle speed over 33 MPH)
 Sun Visor
 Speedometer
 Windshield Washer
 Trailer Electric Cable
 Sheppard M-100 Power Steering
 Automatic Slack Adjusters
 Rear Mud Flaps
 Rear License Plate Bracket and Light
 Reflective Conspicuity Tape
 Instrument Panel Illumination Control

Frame Features

ASTM A529, 12" X 3" Preformed Structural Steel
 RBM 4,248,960 In. Lbs.
 50 Degree Tapered Bumper and Deck
 50 Gallon Rectangular Fuel Tank
 Front Tow Hooks
 (2) G31, 600CCA Low Maintenance Batteries
 Full Compliance FMVSS121 Brake System
 ABS Brake (vehicle speed over 33 MPH)

TJ5000 DOT Certified



Some items shown represent optional equipment. Due to ongoing Engineering improvements, Capacity reserves the right to make changes without notification. Capacity is a subsidiary of Collins Industries, Inc.

Distributed by:

Capacity of Texas, Inc. • 401 Capacity Drive • Longview, Texas 75604-5341
 1-800-323-0135 • www.capacitytexas.com